

## POCKET TISSUE CASE

You can pull your tissues out through the slot in this zippered pouch. Appliqué an assortment of fabrics onto the linen surface in a well-balanced arrangement. The red zipper is a nice extra touch. INSTRUCTIONS ON PAGE 136.



# POCKET TISSUE CASE

Photograph on page 56

## MATERIALS

- Fabric scraps for collage and patchwork (prints, stripes, etc.; the colors and patterns are up to you)
- Fabric for exterior and lining (linen): 27½" × 6"
- Zipper (I): 5" long
- Quilt batting: 7" × 6"

## FINISHED MEASUREMENTS

Add all seam allowances before cutting your fabric. *See Figure 1.*

## INSTRUCTIONS

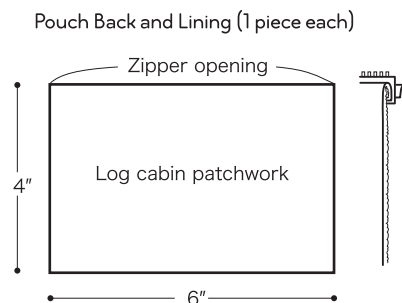
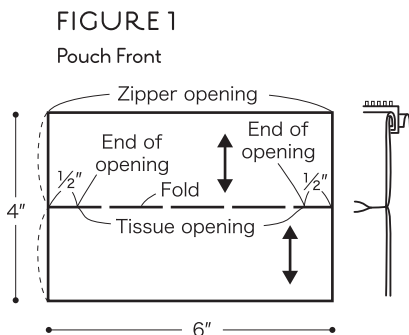
1. Place the two pieces for the pouch front right sides together; stitch two lines in the center of the fabric from the edge to ½" inside the finished outline to form the tissue opening. Turn the fabric right side out, folding each piece in half along the stitch lines; backstitch across both ends of the tissue opening. Make a col-

lage of fabric scraps and stitch them to the front fabric. *See Figure 2.*

2. For the back of the tissue pouch, make a log cabin, following the instructions on page 62. *See Figure 3.*

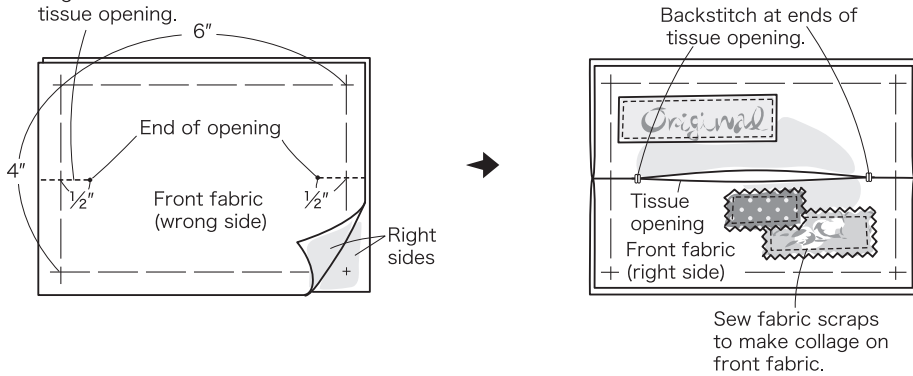
3. Place the pouch front on the zipper between the two layers, right sides together. Align the edge of the zipper tape with the edge of the front fabric; sew along the edge. Fold the front fabric back. Place the pouch back on the other side of the zipper, right sides together; place the lining on the wrong side of the zipper. Align the edges and sew through all three layers. Fold the back fabric and lining back; machine quilt the pouch back, making rows ¼" apart. *See Figure 4.*

4. Open the zipper. Place the pouch front on the pouch back, right sides together, and sew around the sides, rounding the corners as you sew. Turn the pouch right side out through the zipper. *See Figure 5.*

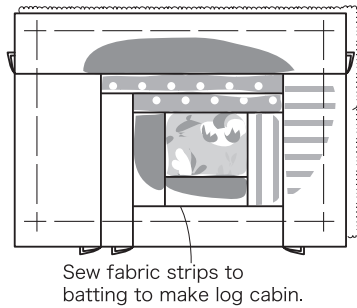


**FIGURE 2**

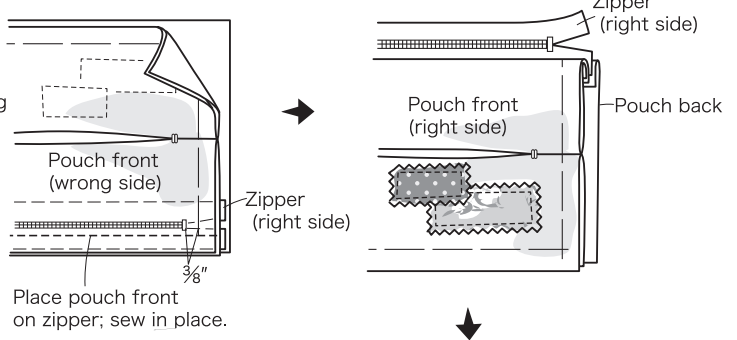
Place two pouch front pieces together; stitch from outside edges to ends of tissue opening.



**FIGURE 3**



**FIGURE 4**



**FIGURE 5**

